

K-FUTURE HH AND KH HANDGUARDS PARAMANI K-FUTURE HH E KH

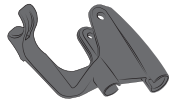
ACERBIS

COD. 500007895

ACERBIS PARTS



A - (2 pcs.)



B - (1 pcs.)



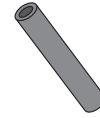
C - (1 pcs.)



D - (4 pcs.)



E - (2 pcs.)



F - (2 pcs.)



G - (2 pcs.)



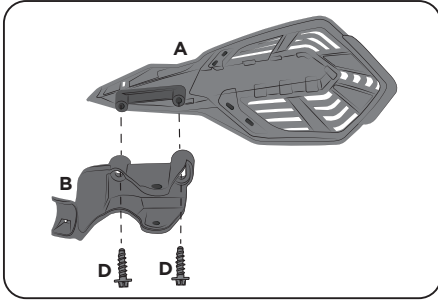
H - (2 pcs.)



I - (2 pcs.)

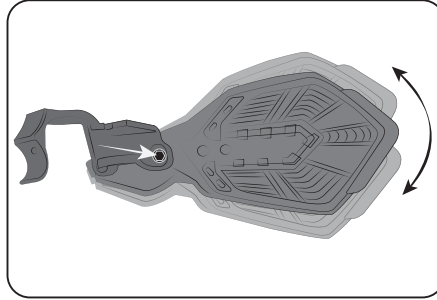


L - (1 pcs.)



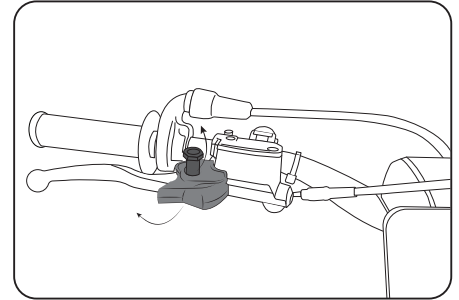
1 - Fix the right cover (A) to the brackets (B) using the screws (D).

1 - Fissare la cover destra (A) al bracciale (B) attraverso le viti (D).



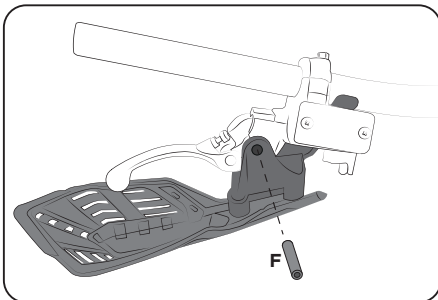
- Ability to adjust the inclination using the screw shown in the figure.

- Possibilità di regolare l'inclinazione tramite la vite indicata in figura.



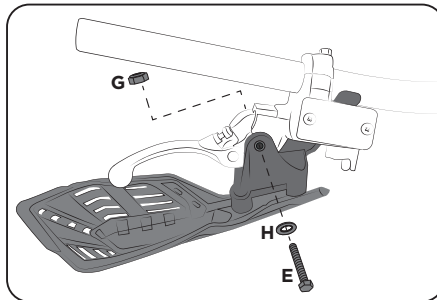
2 - Remove the rubber protections and the original screws.

2 - Rimuovere le protezioni in gomma e le viti originali.



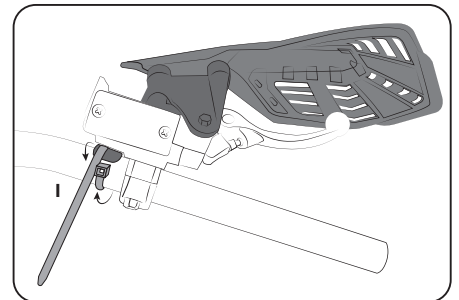
3 - Fix the handguard to the handlebar and insert the bushing (F).

3 - Fissare il paramano sul manubrio e inserire la boccola (F).



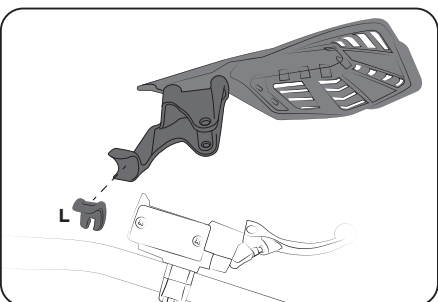
4 - Fix the handguard using screw (E), washer (H) and nut (G).

4 - Fissare il paramano tramite vite (E), rondella (H) e dado (G).



5 - Finally, attach the bracelet to the handlebar with the clamp (I).

Repeat with the left handguard.
5 - Infine fissare il bracciale al manubrio con la fascetta (I). Ripetere con il paramano sinistro.



- ONLY FOR KAWASAKI
Apply the spacer (L)
only on the brake side.

- SOLO PER KAWASAKI
Applicare il distanziale (L)
solo sul lato del freno.

WARNING!

Follow mounting instruction exactly. Ensure that the mounting is secure before riding. These handguards will not prevent injury in the event of a crash. They are designed to protect the hands from cold weather. Be sure that you follow the instruction for installing the handguards. Do not ride with a broken tie wrap. Check to be sure the throttle and other controls are free every time you ride. Failure to heed instruction and this warning could lead to interference with the controls, loss of control of the motorcycle, and an accident.